

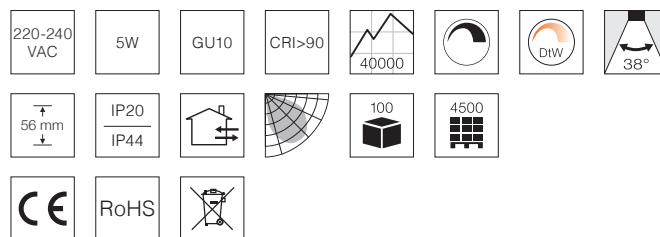


Technical data

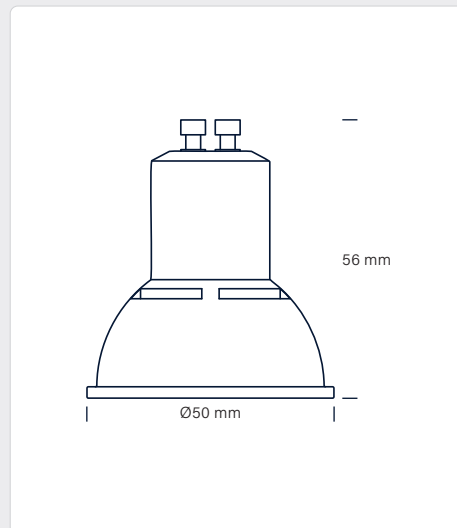
Voltage	220-240 VAC 50/60 Hz
System effect	5W
Light source	LED
Colour rendering	CRI>90
Expected lifespan	40,000 hours
Dimmable	Yes, trailing edge
Flicker free	Yes, according to the latest Ecodesign / ErP directive
SVM <0.4	Yes
PstLM <1	Yes
SDCM	≤5
Beam angle	38°
Height	56 mm
Exterior dimensions	Ø50 mm
IP rating front / back	IP44 / IP20
Material	Plastic, metal
Environment	Indoors and outdoors
Warranty	5 years
Approvals	CE

Product information

- Long life span
- Flicker free according to the latest Ecodesign / ErP directive
- High colour rendering index - CRI>90
- High lumen output
- Colour temperature (Kelvin) changes by dimming - dim to warm
- The lowest setting on dimming range*
*The lowest setting is tested down to <1% on Nordtronic's Box Dimmer Dali item no. 98415031, Box Dimmer Zigbee item no. 98425031 and Box Dimmer Triac item no. 98445031



NB: Always use cables of a type approved for permanent installation according to the current legislation. If the cables are in contact with the lamp cover, use cables with an operating temperature of at least 70° C.



Light source GU10 Long life 5W

Item no.	EAN no.	Cos Phi / Power factor	Kelvin Lumen	Colour
98111952	5704629002081	0.8	2700K 340lm	matt white
98111992	5704629004429	0.8	2700K 340lm	matt black
98111953	5704629002098	0.8	3000K 360lm	matt white
98111993	5704629004436	0.8	3000K 360lm	matt black
98111954	5704629002104	0.8	4000K 370lm	matt white
98111994	5704629004443	0.8	4000K 370lm	matt black
98111957	5704629002517	0.7	1800-3000K 350lm	matt white
98111997	5704629004450	0.7	1800-3000K 350lm	matt black

