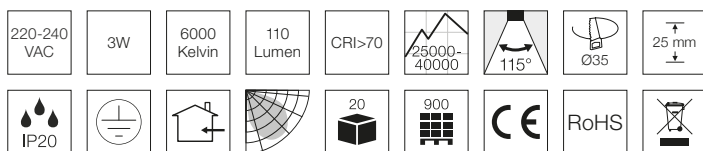


## Exit Scout 3W, anti-panic spot

### Technical data

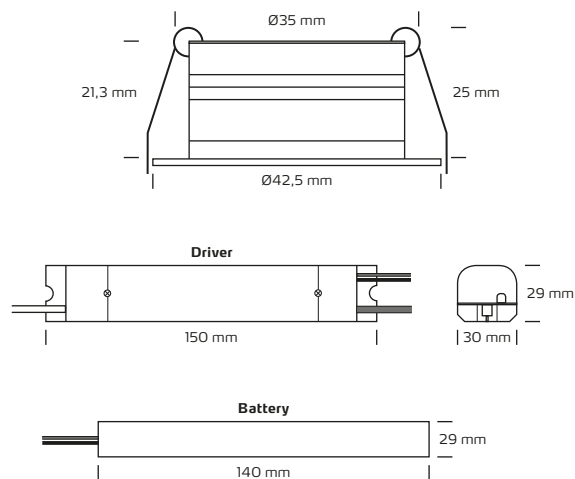
Voltage	220-240 VAC 50 / 60 Hz
System effect	3W
Light source	LED
Colour temperature	6000 Kelvin
Light intensity	110 Lumen
Colour rendering	CRI>70
Expected lifespan	25.000-40.000 hours
Beam angle	115°
Carving dimensions	Ø35 mm
Installation height	25 mm
Exterior dimensions	Ø42,5 mm
Dimensions driver	L: 150 mm, W: 30 mm, H: 29 mm
Dimensions battery	L: 140 mm, Ø29 mm
Operating temperature	0° - +40°
Battery	3.6V 1800mAh Ni-Cd
Possibility of through wiring	No
IP-class	IP20
Insulation class	Class I
Material	Aluminium, polycarbonate
Environment	Indoors
Warranty	2 years
Approvals	CE



### Product information

- Can be used as emergency lighting for escape routes (anti-panic lighting)
- Including a separate LED driver and a battery pack
- In case of power failure, the built-in battery pack provides approx. 3 hours of emergency operation
- Suitable for mounting at ceiling height up to 3.5 m
- Mounting with springs
- Ceiling thickness for mounting is up to 20 mm
- Ensure that the cooling fins / heatsink of the downlight are not covered. Keep at least 5 cm space above and 10 cm around the downlight
- LED indicator for battery status
- With autotest function
- It is recommended to replace the battery every 4 years

NB: Always use cables of a type approved for permanent installation according to the current legislation. If the cables are in contact with the lamp cover, use cables with an operating temperature of at least 70° C.



\*The drawing is not drawn to scale

Item no.	EAN no.	Colour
97132016	5704629000544	White