

Bianka LED Mirror Luminaire, 3000K

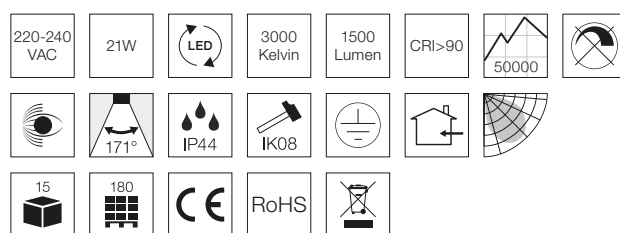


Technical data

Voltage	220-240 VAC 50 Hz
System effect	21W
Light source	Integrated, replaceable LED module
Colour temperature	3000 Kelvin
Light intensity	1500 Lumen
Colour rendering	CRI>90
Expected lifespan	50.000 hours
Dimmable	No
Flicker free	Yes, according to the new Ecodesign / ErP directive (September 2021)
SVM <0.4	Yes
PstLM <1	Yes
SDCM	≤3
Beam angle	171°
Exterior dimensions	595 x 112 x 61.5 mm (with socket) 595 x 112 x 60 mm (without socket)
Possibility of through wiring	No
IP-class	IP44
IK-class	IK08
Insulation class	Class I
Material	Powder coated aluminum, polycarbonate
Environment	Indoors
Warranty	5 years
Approvals	CE

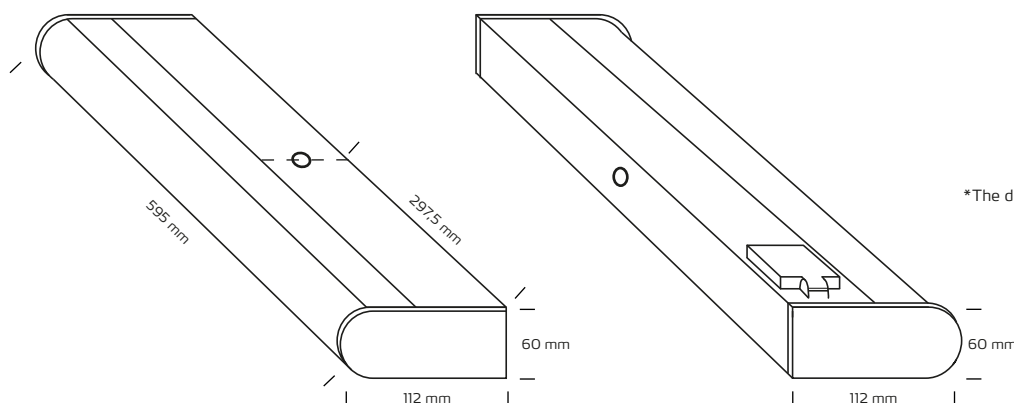


MED STIKDÅSE



Product information

- Mirror luminaire with a timeless design, which can be used in residential, commercial, hotels, etc.
- Comes with an integrated, replaceable LED module
- Cable entry through membrane nipple from the back or on the top
- Fast and safe installation with the 3-pole connector box
- Designed and developed in Denmark



*The drawing is not drawn to scale

NB: Always use cables of a type approved for permanent installation according to the current legislation. If the cables are in contact with the lamp cover, use cables with an operating temperature of at least 70° C.

Item no.	EAN no.	Function	Colour
8401	5704629084018	Indoor, with socket	White
8402	5704629084025	Indoor, without socket	White

Accessories

Item number	EAN no.	Variant
8431	5704629084315	3000K LED module
8432	5704629084322	4000K LED module
8433	5704629084339	Front cover