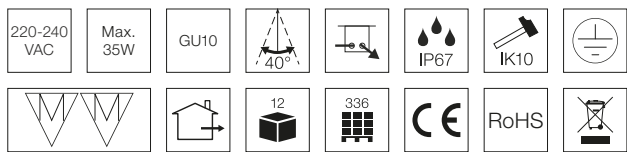


Maura

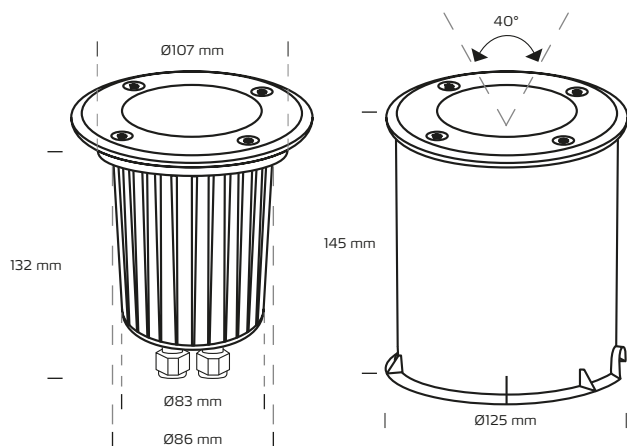
Technical data

Voltage	220-240 VAC 50 Hz
System effect	Max. 35W
Light source	No
Height	145 mm
Exterior dimensions	Ø125 mm
Tilt angle	40°
Possibility of through wiring	Yes, 3G2.5
IP-class	IP67
IK-class	IK10
Insulation class	Class I
Material	ABS plastic, front in stainless steel AISI 316 - 4 mm thickness
Environment	Outdoors
Warranty	2 years
Approvals	CE



Product information

- Functional and decorative lighting
- Approved for 500 kg static weight
- Clear glass - 8 mm thickness



*The drawing is not drawn to scale

NB: Always use cables of a type approved for permanent installation according to the current legislation. If the cables are in contact with the lamp cover, use cables with an operating temperature of at least 70° C.

Item no.	EAN no.	Colour
4091	5704629040915	Stainless steel