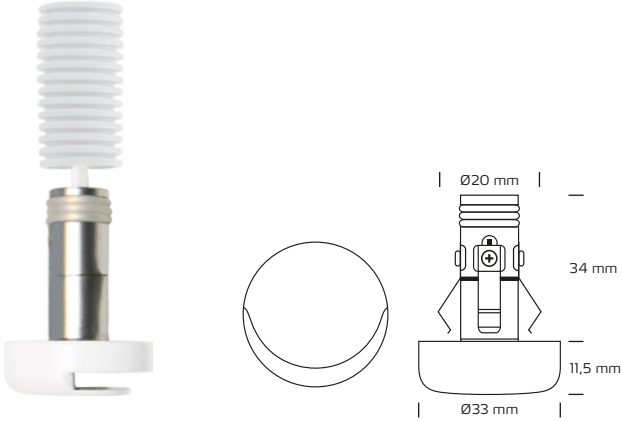
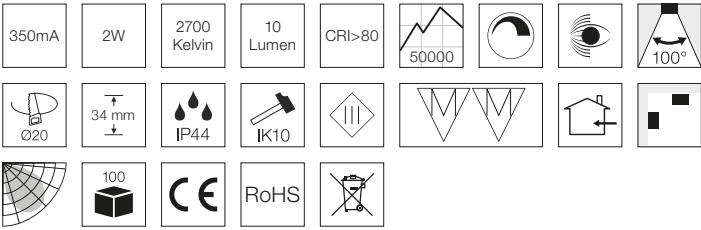


Anthea 2W, 2700K

Technical data

Amperage	350mA
System effect	2W
Light source	LED
Colour temperature	2700 Kelvin
Light intensity	10 Lumen
Colour rendering	CRI>80
Expected lifespan	50,000 hours
Dimmable	Depends on driver
Flicker free	Yes, according to the new Ecodesign / ErP directive
SVM <0.4	Yes
PstLM <1	Yes
SDCM	≤2
Beam angle	100°
Carving dimensions	Ø20 mm
Installation height	34 mm
Exterior dimensions	Ø33 mm
Possibility of through wiring	No
IP-class	IP44 (is intended for installation in areas 1 and 2)
IK-class	IK10
Insulation class	Class III
Material	Aluminium
Environment	Indoors
Warranty	2 years with Nordtronic
Approvals	CE



*The drawing is not drawn to scale

Product information

- Approved for installation directly in the insulation and flammable materials
- Dimmable with Nordtronic LED driver
- Incl. 3 meter cable with plug
- Quick and easy mounting
- Possibility of mounting in 20 mm flex tube
- Designed and developed in Denmark

NB: Always use cables of a type approved for permanent installation according to the current legislation. If the cables are in contact with the lamp cover, use cables with an operating temperature of at least 70° C.

Item no.	EAN no.	Colour	Front design
18111012	5704629000704	Matt white	Round
18111022	5704629000711	Brushed alu	Round
18111092	5704629000728	Matt black	Round

Accessories

Item no.	EAN no.	Variant
1872	5704629018723	LED Driver dimmable, 5-16W
1883	5704629018839	LED Driver non dimmable, 2-20W
1875	5704629018754	Extention cable 2 m